

LIWIN

Attuatore elettrico a catena per l'apertura e chiusura di finestre a sporgere, shed, lucernai, vasistas in legno, PVC e alluminio.

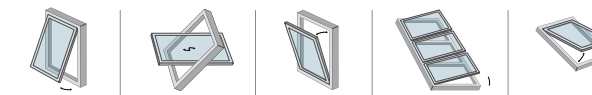
Chain actuator for opening and closing top-hung outward windows, shed, skylights and bottom-hung inward windows in wood, PVC and aluminium.

Gesti quotidiani

Daily movement



Aperture | Opening



Caratteristiche tecniche | Technical characteristics

- Catena a doppia maglia per garantire una maggiore forza in spinta e in trazione
Double-link chain to guarantee higher thrust and traction force
- **Forza di spinta e trazione / Thrust and tension force: 250N - 350N**
- Tensioni / Tensions: 230VAC 50Hz - 24VDC
- Regolazione corse tramite combinazione di dip-switch
Stroke setting by dip-switch combination
- **Corse disponibili / Strokes available:**
L35: 50-100-150-200-250-300-350-400-420 mm
L25: 200-250-380 mm
- Collegabile in parallelo (max 30 attuatori)
Up to 30 actuators can be operated in parallel
- Tecnologia W-Net per il collegamento parallelo da 2 a 4 attuatori nella stessa finestra (senza centralina elettronica esterna)
W-Net technology: from 2 up to 4 actuators per window can be operated in parallel (with no external connection unit)
- Versione Radio compatibile con R-Control (434,15 MHz)
Radio version compatible with R-Control (434,15 MHz)



COMUNELLO
FRAME AUTOMATION

All'interno delle confezioni si trovano tutti gli elementi e gli strumenti che rendono semplici le operazioni di montaggio e di collegamento con l'impianto elettrico. Libretti ed informazioni tecniche sono disponibili anche sul sito comunello.com. È inoltre operativo il servizio di assistenza tecnica Liwin con supporto telefonico. Gli attuatori della serie Liwin sono conformi alle Direttive CE (Direttiva EMC, LVD e R&TTE) e successivi emendamenti.

The box contains all the parts and equipment you need to make set up and connection as easy as possible. Instruction manuals and technical information are available on our website at www.comunello.com. We also offer our Liwin service to provide expert technical support by phone. The Liwin actuator range are in compliance with Directives EC (EMC, LVD and R&TTE directives) as amended.



Package contents

Attuatore a catena con cavo elettrico
Chain actuator provided with electric supply cable

Staffe di supporto / Support brackets

Attacco per finestre vasistas e a sporgere
Fixing brackets for top-hung and bottom-hung windows

Dima adesiva inclusa / Drilling template included

Libretto di istruzioni multilingua
Multi-lingual user's guide

Regolazione corse immediata Immediate stroke setting

Aggancio rapido Quick-fastening system

Attacchi facili e veloci Easy and quick connections

Catena a doppia maglia Double-link chain

Dettagli in primo piano A close-up of the details

LIWIN ACCESSORIES



ATTACCO PER FINESTRE A SPORGERE FITTING FOR TOP-HUNG WINDOWS

30 pieces per pack (1,10 Kg)

■ Black	ML00 AA 01N 0B 00
■ Grey	ML00 AA 01N 0G 00
□ White	ML00 AA 01N 0W 00
■ Ivory	ML00 AA 01N 1W 00



ATTACCO PER FINESTRE A VASISTAS FITTING FOR BOTTOM-HUNG WINDOWS

20 pieces per pack (1,21 Kg)

■ Black	ML00 AA 03N 0B 00
■ Grey	ML00 AA 03N 0G 00
□ White	ML00 AA 03N 0W 00
■ Ivory	ML00 AA 03N 1W 00



STAFFE DI SUPPORTO SUPPORT BRACKETS

20 pieces per pack (0,97 Kg)

■ Black	ML00 AS 01N 0B 00
■ Grey	ML00 AS 01N 0G 00
□ White	ML00 AS 01N 0W 00
■ Ivory	ML00 AS 01N 1W 00



STAFFE DI SUPPORTO PER ABBAINO SUPPORT BRACKETS FOR DORMER WINDOW

20 pieces per pack (0,76 Kg)

■ Black	ML 00 AS 02N 0B 00
■ Grey	ML 00 AS 02N 0G 00
□ White	ML 00 AS 02N 0W 00



STAFFE DI SUPPORTO VERSIONE ALTA SUPPORT BRACKETS HIGH VERSION

10 pieces per pack (1,94 Kg)

■ Black	ML00 AS 03N 0B 00
■ Grey	ML00 AS 03N 0G 00
□ White	ML00 AS 03N 0W 00



STAFFE DI SUPPORTO VERSIONE BASSA SUPPORT BRACKETS SMALL VERSION

10 pieces per pack (1,42 Kg)

■ Black	ML00 AS 05N 0B 00
■ Grey	ML00 AS 05N 0G 00
□ White	ML00 AS 05N 0W 00



RILEVATORE DI PIOGGIA RAIN SENSOR

1 piece (0,41 Kg)

MX00 AR 01N 0G 00	MX00 AR 01N 0T 00
-------------------	-------------------



RILEVATORE VENTO WIND SENSOR

1 piece (0,30 Kg)

MX00 AR 02N 0G 00



RILEVATORE VENTO/SOLE WIND/SUN SENSOR

1 piece (0,30 Kg)

MX00 AR 02N 0T 00



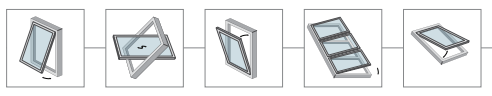
UNITÀ DI CONTROLLO 1 USCITA MOTORE CON O SENZA RICEVENTE INTEGRATA 1 OUTLET MOTOR CONTROL UNIT WITH OR WITHOUT BUILT-IN RECEIVER

(230 Vac) 1 piece (0,22 Kg)

MX00 AU 02H 0W 00 Con ricevente / With receiver	MX00 AU 03H 0W 00 Senza ricevente / Without receiver
--	---



LIWIN L25


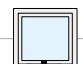


- SOFT START & STOP
 - Rilevamento ostacoli | *Obstacle detection*
 - Fine corsa per assorbimento | *Stroke limit - resistance*
 - Velocità | *Speed* 18 mm/sec
 - Forza di spinta | *Thrust force* 250 N
 - Servizio | *Type of service* S2 - 4 min
 - Temp min-max -5°C / +50°C
- IP44



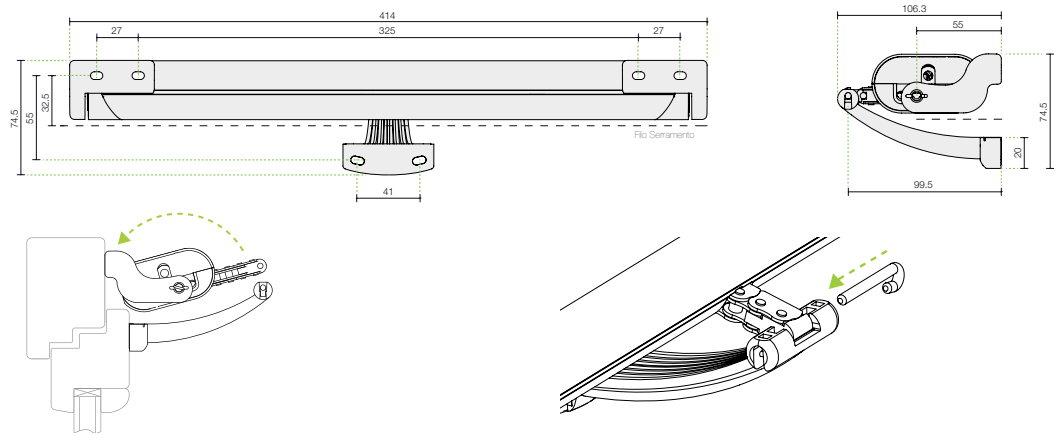
LIWIN L25

Article	Product code	Colour	Strokes	Push pull	Power	230 Vac	Weight	Pieces
L25 230V basic	ML25 S1 38H 0B 00	■ Black RAL 9005	200-250-380	250 N	22W	0,14 A	1,22 Kg	1
L25 230V basic	ML25 S1 38H 0G 00	■ Grey RAL 7035	200-250-380	250 N	22W	0,14 A	1,22 Kg	1
L25 230V basic	ML25 S1 38H 0W 00	□ White RAL 9010	200-250-380	250 N	22W	0,14 A	1,22 Kg	1
L25 230V basic	ML25 S1 38H 1W 00	■ Ivory RAL 1013	200-250-380	250 N	22W	0,14 A	1,22 Kg	1

Comando a parete  Push-button  L < 125 cm Base / Length Fino a **30** finestre windows Up to

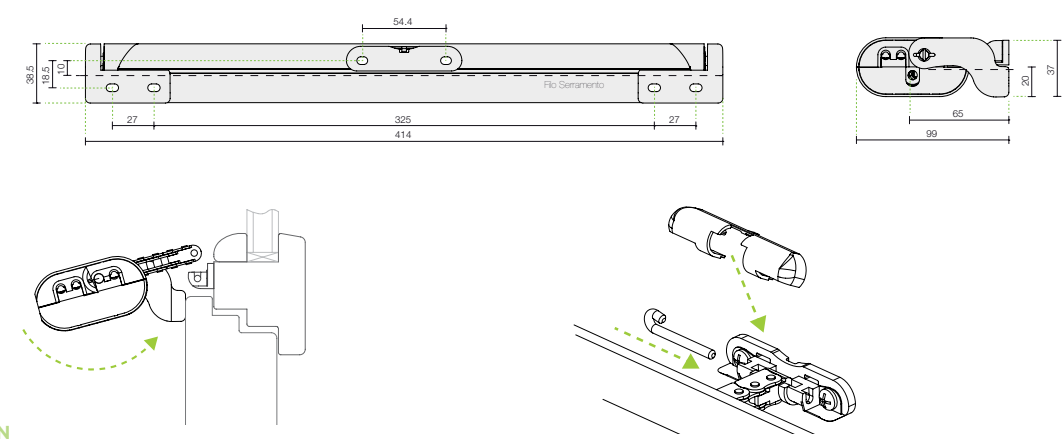
Apertura Vasistas

Bottom hung inward opening window



Apertura a sporgere

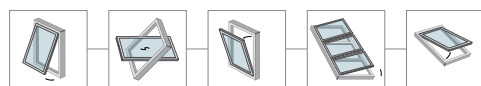
Top hung outward opening window



LIWIN L35

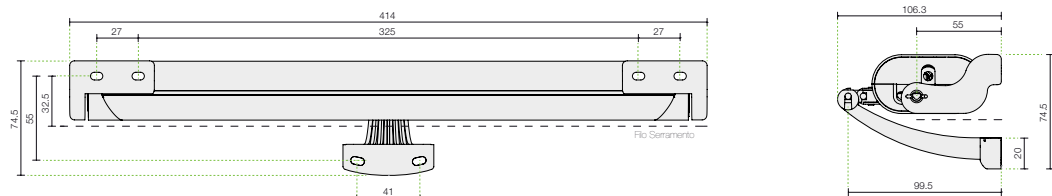
- W** ■ Collegamento senza centralina | *Without control unit*
- NET** ■ SOFT START & STOP
- Rilevamento ostacoli | *Obstacle detection*
- Fine corsa per assorbimento | *Stroke limit - resistance*
- Velocità | *Speed* 18 mm/sec
- Forza di spinta | *Thrust force* 350 N
- Servizio | *Type of service* S2 - 4 min
- Temp. min-max -5°C / +50°C

IP44



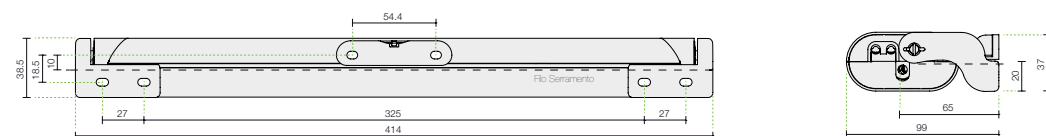
Apertura Vasistas

Bottom hung inward opening window



Apertura a sporgere

Top hung outward opening window



COMUNELLO
FRAME AUTOMATION

LIWIN L35

Article	Product code	Colour	Strokes	Push pull	Power	230 Vac	24 Vdc	Weight	Pieces
L35 230V basic	ML35 S1 40H OB 00	■ Black RAL 9005	50-100-150-200-250-300-350-400-420	350 N	28W	0,19 A	-	1,23 Kg	1
L35 230V basic	ML35 S1 40H OG 00	■ Grey RAL 7035	50-100-150-200-250-300-350-400-420	350 N	28W	0,19 A	-	1,23 Kg	1
L35 230V basic	ML35 S1 40H OW 00	□ White RAL 9010	50-100-150-200-250-300-350-400-420	350 N	28W	0,19 A	-	1,23 Kg	1
L35 230V basic	ML35 S1 40H 1W 00	■ Ivory RAL 1013	50-100-150-200-250-300-350-400-420	350 N	28W	0,19 A	-	1,23 Kg	1
L35 24V basic	ML35 S1 40L OB 00	■ Black RAL 9005	50-100-150-200-250-300-350-400-420	350 N	28W	-	1 A	1,22 Kg	1
L35 24V basic	ML35 S1 40L OG 00	■ Grey RAL 7035	50-100-150-200-250-300-350-400-420	350 N	28W	-	1 A	1,22 Kg	1
L35 24V basic	ML35 S1 40L OW 00	□ White RAL 9010	50-100-150-200-250-300-350-400-420	350 N	28W	-	1 A	1,22 Kg	1
L35 24V basic	ML35 S1 40L 1W 00	■ Ivory RAL 1013	50-100-150-200-250-300-350-400-420	350 N	28W	-	1 A	1,22 Kg	1

Comando a parete
Push-button



L < 125 cm
Base / Length

Fino a **30** finestre
Up to windows

LIWIN L35 2W-NET

Article	Product code	Colour	Strokes	Push pull	Power	230 Vac	24 Vdc	Weight	Pieces
L35 230V 2W-NET	ML35 S2 40H OB 00	■ Black RAL 9005	50-100-150-200-250-300-350-400-420	350 N	28W	0,19 A	-	2,46 Kg	2
L35 230V 2W-NET	ML35 S2 40H OG 00	■ Grey RAL 7035	50-100-150-200-250-300-350-400-420	350 N	28W	0,19 A	-	2,46 Kg	2
L35 230V 2W-NET	ML35 S2 40H OW 00	□ White RAL 9010	50-100-150-200-250-300-350-400-420	350 N	28W	0,19 A	-	2,46 Kg	2
L35 24V 2W-NET	ML35 S2 40L OB 00	■ Black RAL 9005	50-100-150-200-250-300-350-400-420	350 N	28W	-	1 A	2,45 Kg	2
L35 24V 2W-NET	ML35 S2 40L OG 00	■ Grey RAL 7035	50-100-150-200-250-300-350-400-420	350 N	28W	-	1 A	2,45 Kg	2
L35 24V 2W-NET	ML35 S2 40L OW 00	□ White RAL 9010	50-100-150-200-250-300-350-400-420	350 N	28W	-	1 A	2,45 Kg	2

2W
NET

Comando a parete
Push-button



L 125 < 250 cm
Base / Length

Fino a **15** finestre
Up to windows

LIWIN L35 3W-NET

Article	Product code	Colour	Strokes	Push pull	Power	230 Vac	24 Vdc	Weight	Pieces
L35 230V 3W-NET	ML35 S3 40H OB 00	■ Black RAL 9005	50-100-150-200-250-300-350-400-420	350 N	28W	0,19 A	-	3,68 Kg	3
L35 230V 3W-NET	ML35 S3 40H OG 00	■ Grey RAL 7035	50-100-150-200-250-300-350-400-420	350 N	28W	0,19 A	-	3,68 Kg	3
L35 230V 3W-NET	ML35 S3 40H OW 00	□ White RAL 9010	50-100-150-200-250-300-350-400-420	350 N	28W	0,19 A	-	3,68 Kg	3
L35 24V 3W-NET	ML35 S3 40L OB 00	■ Black RAL 9005	50-100-150-200-250-300-350-400-420	350 N	28W	-	1 A	3,65 Kg	3
L35 24V 3W-NET	ML35 S3 40L OG 00	■ Grey RAL 7035	50-100-150-200-250-300-350-400-420	350 N	28W	-	1 A	3,65 Kg	3
L35 24V 3W-NET	ML35 S3 40L OW 00	□ White RAL 9010	50-100-150-200-250-300-350-400-420	350 N	28W	-	1 A	3,65 Kg	3

3W
NET

Comando a parete
Push-button



L 250 < 375 cm
Base / Length

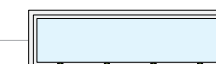
Fino a **10** finestre
Up to windows

LIWIN L35 4W-NET

Article	Product code	Colour	Strokes	Push pull	Power	230 Vac	24 Vdc	Weight	Pieces
L35 230V 4W-NET	ML35 S4 40H OB 00	■ Black RAL 9005	50-100-150-200-250-300-350-400-420	350 N	28W	0,19 A	-	4,90 Kg	4
L35 230V 4W-NET	ML35 S4 40H OG 00	■ Grey RAL 7035	50-100-150-200-250-300-350-400-420	350 N	28W	0,19 A	-	4,90 Kg	4
L35 230V 4W-NET	ML35 S4 40H OW 00	□ White RAL 9010	50-100-150-200-250-300-350-400-420	350 N	28W	0,19 A	-	4,90 Kg	4
L35 24V 4W-NET	ML35 S4 40L OB 00	■ Black RAL 9005	50-100-150-200-250-300-350-400-420	350 N	28W	-	1 A	4,87 Kg	4
L35 24V 4W-NET	ML35 S4 40L OG 00	■ Grey RAL 7035	50-100-150-200-250-300-350-400-420	350 N	28W	-	1 A	4,87 Kg	4
L35 24V 4W-NET	ML35 S4 40L OW 00	□ White RAL 9010	50-100-150-200-250-300-350-400-420	350 N	28W	-	1 A	4,87 Kg	4

4W
NET

Comando a parete
Push-button

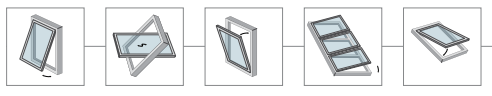


L 375 < 500 cm
Base / Length

Fino a **7** finestre
Up to windows

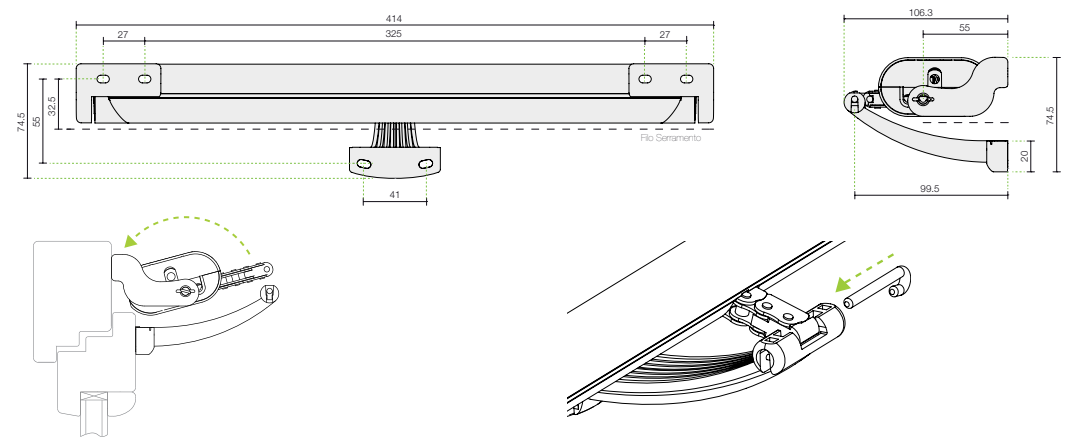
LIWIN L35 RADIO

- Collegamento senza centralina | *Without control unit*
 - SOFT START & STOP
 - Rilevamento ostacoli | *Obstacle detection*
 - Fine corsa per assorbimento | *Stroke limit - resistance*
 - Velocità | *Speed* **18 mm/sec**
 - Forza di spinta | *Thrust force* **350 N**
 - Servizio | *Type of service* **S2 - 4 min**
 - Temp min-max **-5°C / +50°C**
- W+NET IP44



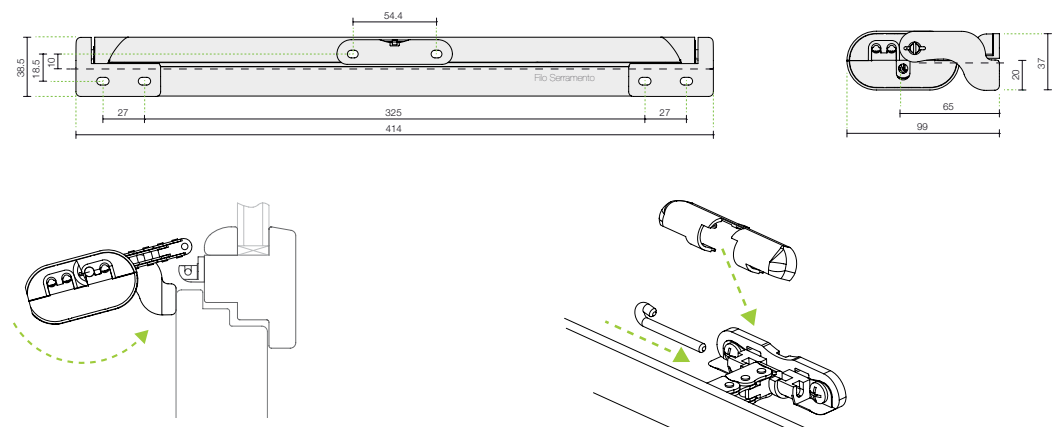
Apertura Vasistas

Bottom hung inward opening window



Apertura a sporgere

Top hung outward opening window



LIWIN L35 RADIO

Article	Product code	Colour	Strokes	Push pull	Power	230 Vac	Weight	Pieces
L35 230V R	ML35 R1 40H 0B 00	■ Black RAL 9005	50-100-150-200-250-300-350-400-420	350 N	28W	0,19 A	1,23 Kg	1
L35 230V R	ML35 R1 40H 0G 00	■ Grey RAL 7035	50-100-150-200-250-300-350-400-420	350 N	28W	0,19 A	1,23 Kg	1
L35 230V R	ML35 R1 40H 0W 00	□ White RAL 9010	50-100-150-200-250-300-350-400-420	350 N	28W	0,19 A	1,23 Kg	1

Alimentazione Power supply Radiocomando non incluso Remote control not included L < 125 cm Base / Length Fino a 6 canali Up to 6 channels

LIWIN L35 RADIO 2W-NET

Article	Product code	Colour	Strokes	Push pull	Power	230 Vac	Weight	Pieces
L35 230V R 2W-NET	ML35 R2 40H 0B 00	■ Black RAL 9005	50-100-150-200-250-300-350-400-420	350 N	28W	0,19 A	2,46 Kg	2
L35 230V R 2W-NET	ML35 R2 40H 0G 00	■ Grey RAL 7035	50-100-150-200-250-300-350-400-420	350 N	28W	0,19 A	2,46 Kg	2
L35 230V R 2W-NET	ML35 R2 40H 0W 00	□ White RAL 9010	50-100-150-200-250-300-350-400-420	350 N	28W	0,19 A	2,46 Kg	2

Alimentazione Power supply Radiocomando non incluso Remote control not included L 125 < 250 cm Base / Length Fino a 6 canali Up to 6 channels

LIWIN L35 RADIO 3W-NET

Article	Product code	Colour	Strokes	Push pull	Power	230 Vac	Weight	Pieces
L35 230V R 3W-NET	ML35 R3 40H 0B 00	■ Black RAL 9005	50-100-150-200-250-300-350-400-420	350 N	28W	0,19 A	3,68 Kg	3
L35 230V R 3W-NET	ML35 R3 40H 0G 00	■ Grey RAL 7035	50-100-150-200-250-300-350-400-420	350 N	28W	0,19 A	3,68 Kg	3
L35 230V R 3W-NET	ML35 R3 40H 0W 00	□ White RAL 9010	50-100-150-200-250-300-350-400-420	350 N	28W	0,19 A	3,68 Kg	3

Alimentazione Power supply Radiocomando non incluso Remote control not included L 250 < 375 cm Base / Length Fino a 6 canali Up to 6 channels

LIWIN L35 RADIO 4W-NET

Article	Product code	Colour	Strokes	Push pull	Power	230 Vac	Weight	Pieces
L35 230V R 4W-NET	ML35 R4 40H 0B 00	■ Black RAL 9005	50-100-150-200-250-300-350-400-420	350 N	28W	0,19 A	4,90 Kg	4
L35 230V R 4W-NET	ML35 R4 40H 0G 00	■ Grey RAL 7035	50-100-150-200-250-300-350-400-420	350 N	28W	0,19 A	4,90 Kg	4
L35 230V R 4W-NET	ML35 R4 40H 0W 00	□ White RAL 9010	50-100-150-200-250-300-350-400-420	350 N	28W	0,19 A	4,90 Kg	4

Alimentazione Power supply Radiocomando non incluso Remote control not included L 375 < 500 cm Base / Length Fino a 6 canali Up to 6 channels