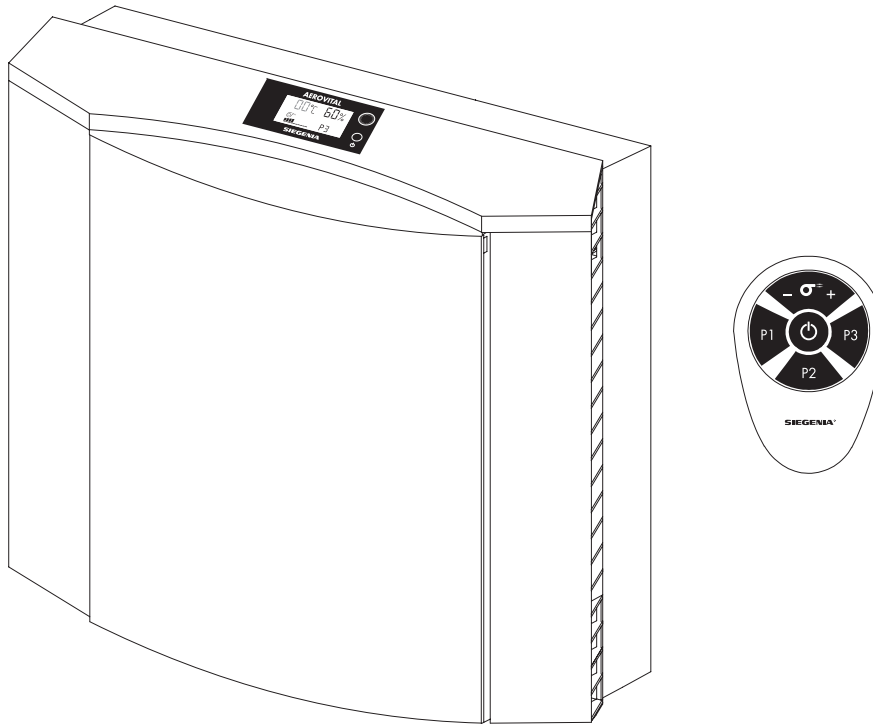


Wall mounted ventilator with sound absorption and heat recovery



### Application

- The AEROVITAL is a wall-mounted ventilation unit with an air duct through the brickwork.

### Function

- The low-noise AEROVITAL provides controlled and energy-saving indoor ventilation.

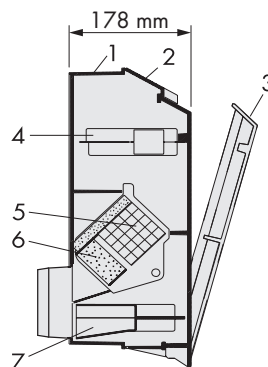
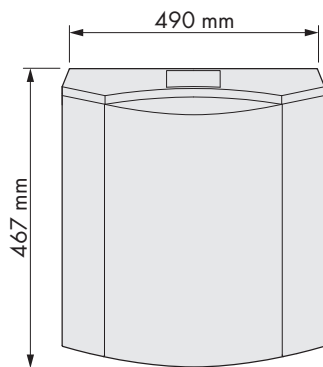
### Features

- Sound absorption
- Low internal noise
- Unit with heat recovery
- Filters pollen and dust
- Blower switchable between 10 levels
- Individual device settings can be programmed
- Dehumidification control
- The AEROVITAL uses an electrically operated ventilator to draw in fresh air from the outside and provide fresh filtered air inside and then extracts the filtered stale air to the outside.
- The unit is operated via a button on the front panel and a remote control.
- The unit can be controlled manually or automatically.
- Technical approval (DIBt)

## Technical data

Specification for a AEROVITAL		
Air throughput per air flow (measured in accordance with DIN 24163)	Level 1 Level 4 Level 10	approx. 25 m <sup>3</sup> /h approx. 41 m <sup>3</sup> /h approx. 70 m <sup>3</sup> /h
Unit internal noise (measured according to DIN EN ISO 3741)	Level 1 Level 4 Level 10	L <sub>N</sub> = 21 dB (A) L <sub>N</sub> = 30 dB (A) L <sub>N</sub> = 41 dB (A)
Power consumption	Level 1 Level 4 Level 10	10 watts 17 watts 33 watts
Electrical connection	230 V ~ / 0.17 A	
Protection class II	Protective insulation	
Connection cable (cable outlet at rear of unit, at bottom)	1.2 m long	
Heat recovery efficiency	Up to 73%	
Sound absorption (in accordance with DIN EN 20140-10)	D <sub>n,e,w</sub> = 52 dB	
Weight	12.5 kg	
Casing colour	White	

## Dimensions and parts designation



- 1 Housing
- 2 Control panel with display
- 3 Front panel
- 4 Blower unit - supply air
- 5 Heat exchanger
- 6 Pollen filter
- 7 Blower unit - exhaust air

## Ordering information

Material designation	Material number
AEROVITAL (inc. pipe, weather grille, remote control, filter)	248454
Spare filter F7 (three-layer, synthetic composite filter)	248843

# SIEGENIA®

Hardware and ventilation technology  
 Duisburger Straße 8  
 57234 Wilnsdorf  
 GERMANY

Phone: +49 271 3931-0  
 Telefax: +49 271 3931-172  
 info@siegenia.com  
 www.siegenia.com



You can find address details for our international sites at: [www.siegenia.com](http://www.siegenia.com)

SIEGENIA worldwide:

**Austria** Phone: +43 6225 8301  
**Belarus** Phone: +375 17 3121168  
**Benelux** Phone: +32 9 2811312  
**China** Phone: +86 316 5998198  
**France** Phone: +33 3 89618131  
**Germany** Phone: +49 271 39310  
**Great Britain** Phone: +44 2476 622000

**Hungary** Phone: +36 76 500810  
**Italy** Phone: +39 02 9353601  
**Poland** Phone: +48 77 4477700  
**Russia** Phone: +7 495 7211762  
**South Korea** Phone: +82 31 7985590  
**Switzerland** Phone: +41 33 3461010  
**Turkey** Phone: +90 216 5934151  
**Ukraine** Phone: +380 44 4637979