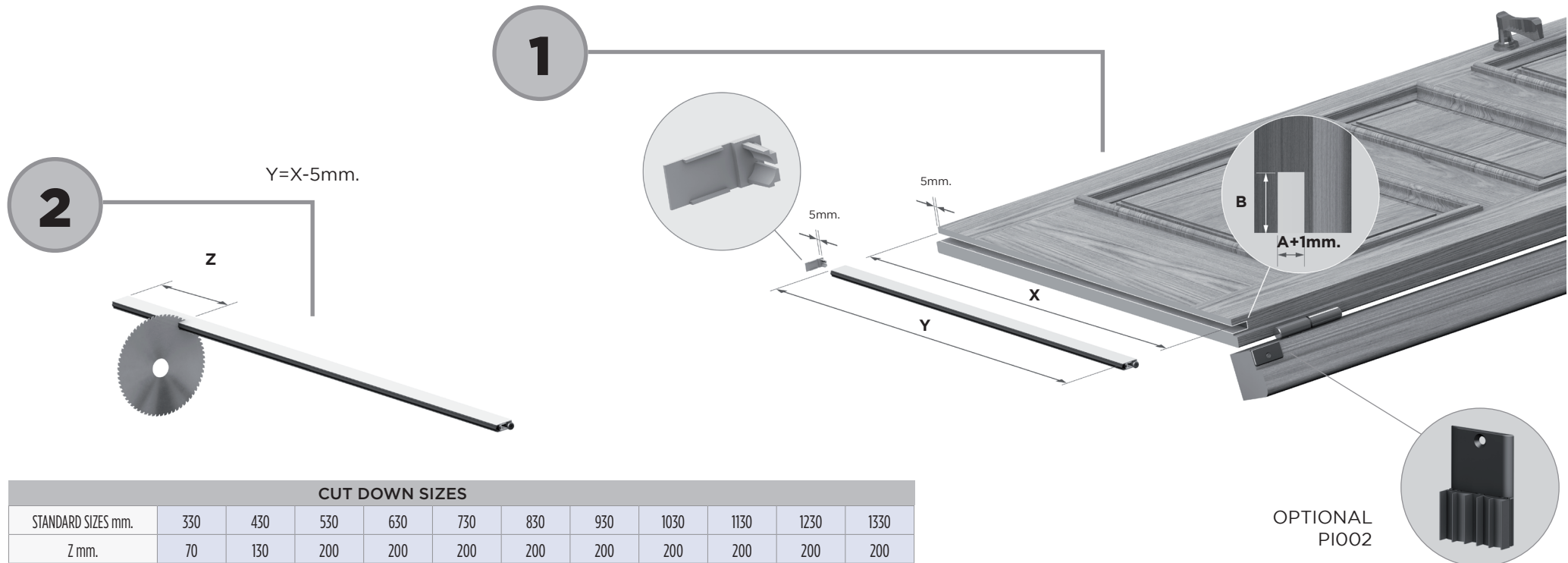
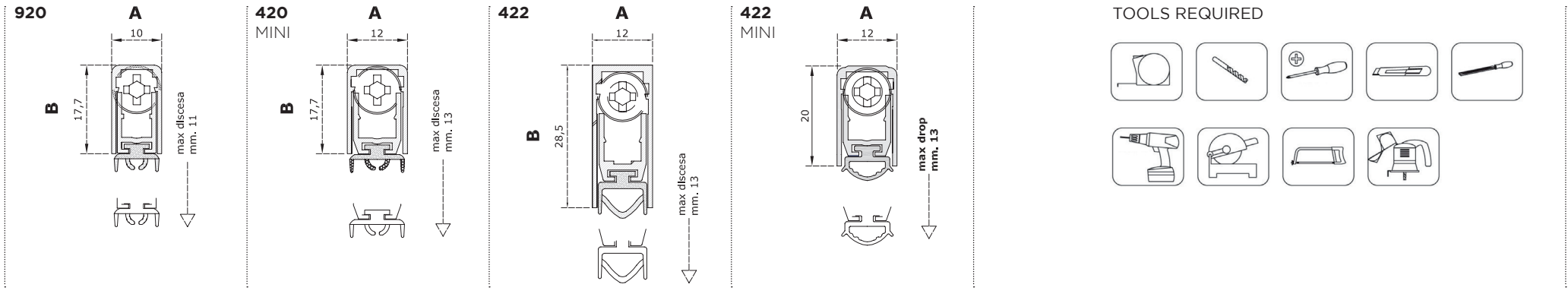


FITTING INSTRUCTIONS

TRADITIONAL FASTENING



CUT DOWN SIZES											
STANDARD SIZES mm.	330	430	530	630	730	830	930	1030	1130	1230	1330
Z mm.	70	130	200	200	200	200	200	200	200	200	200

FITTING INSTRUCTIONS

TRADITIONAL FASTENING

