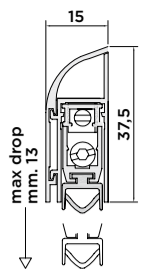
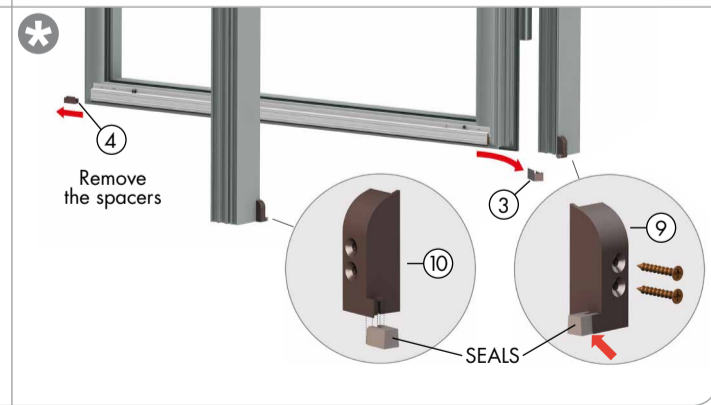
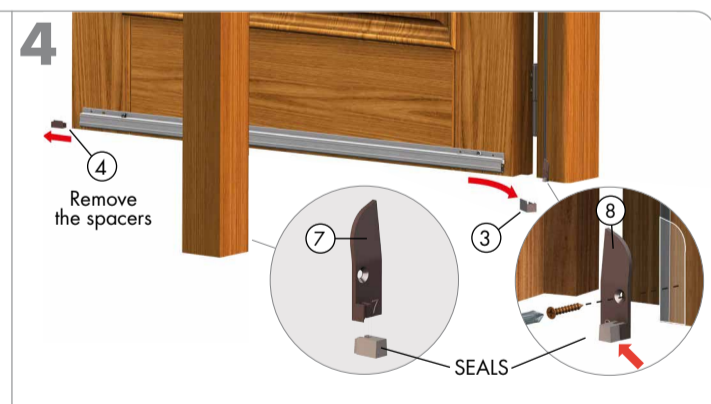
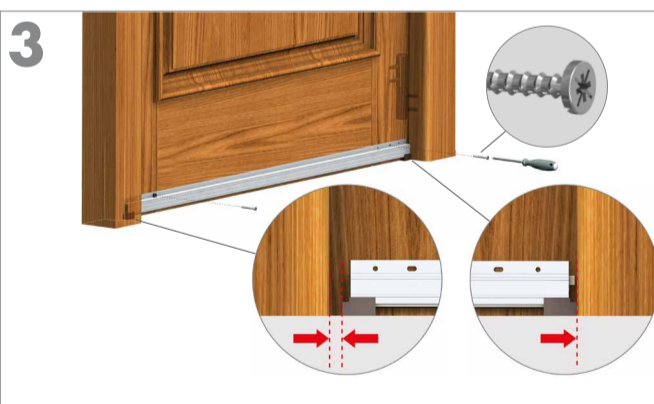
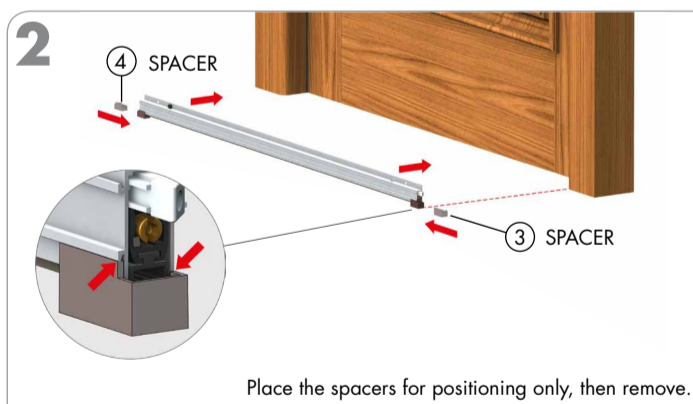
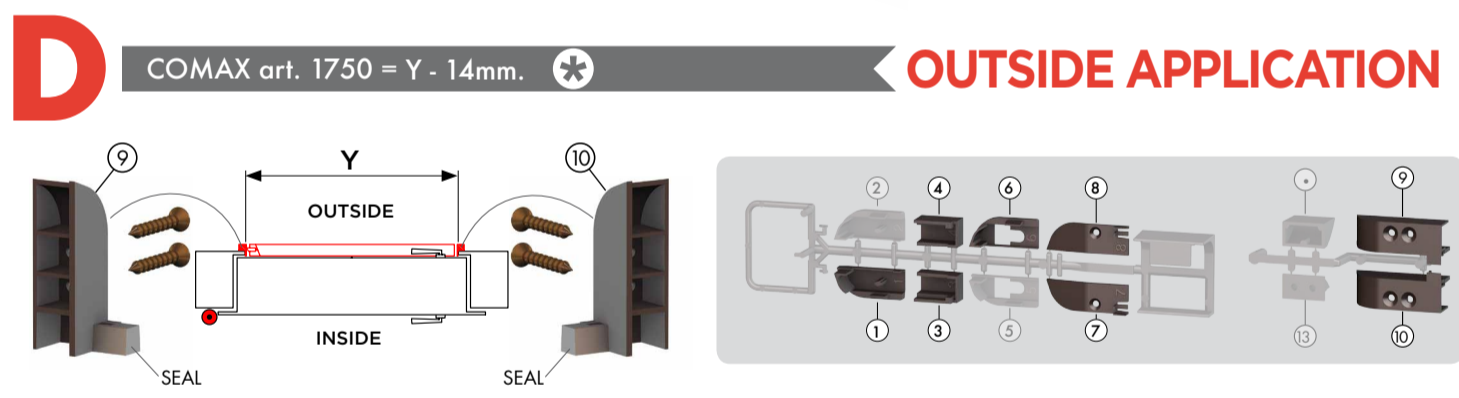
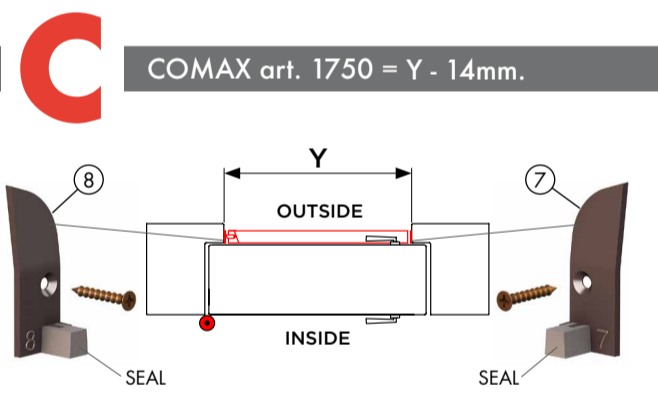
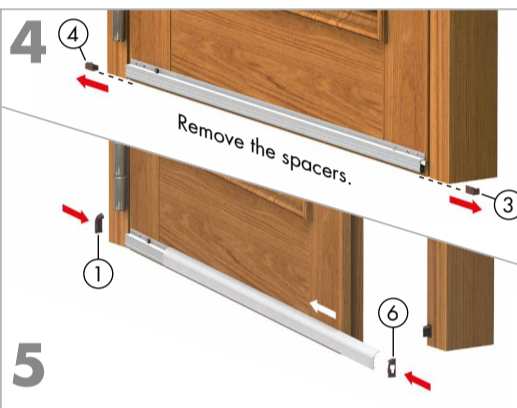
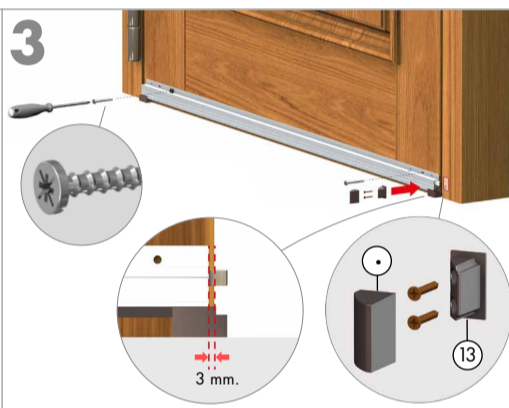
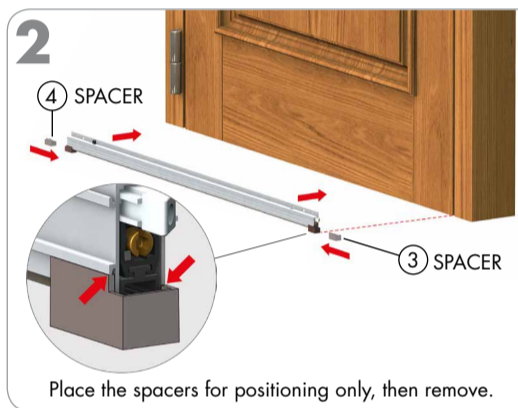
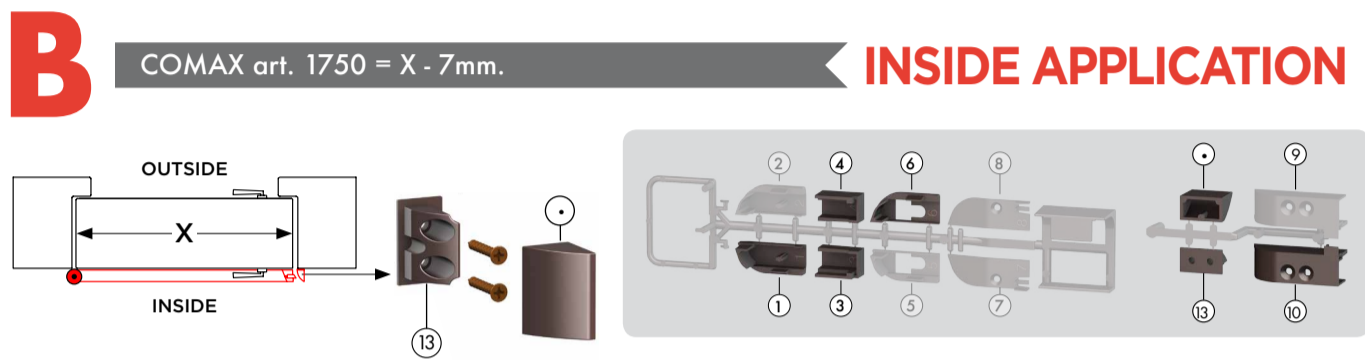
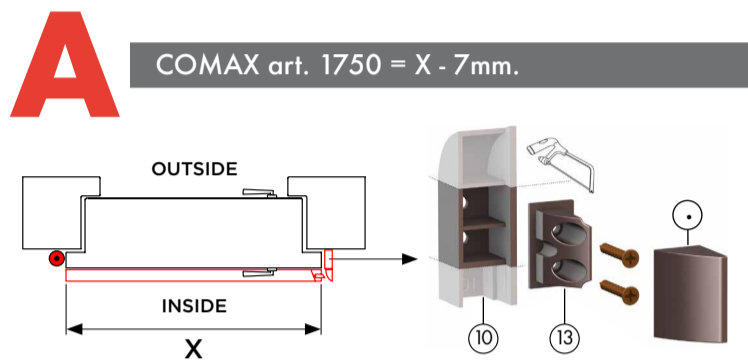
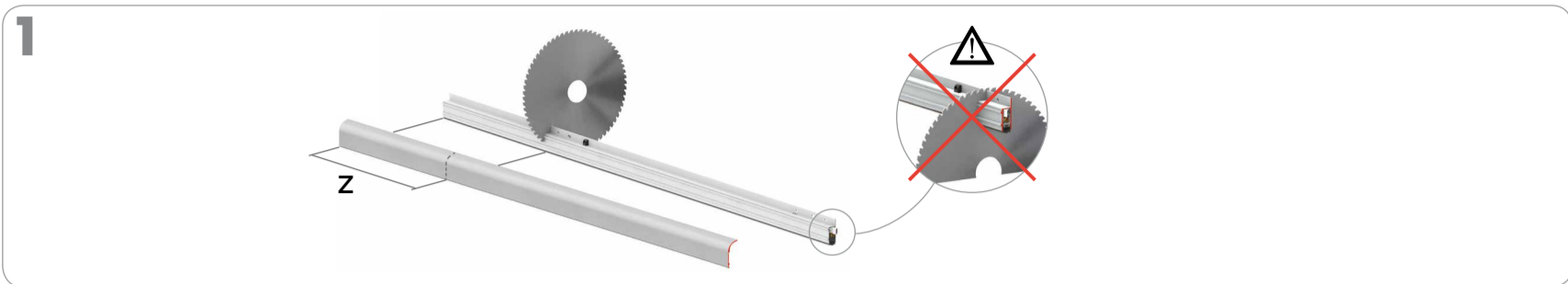
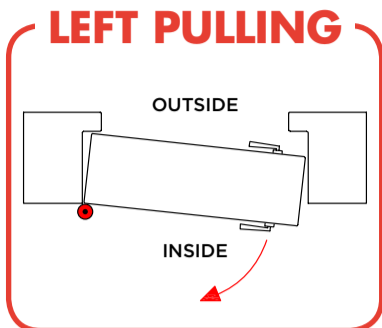
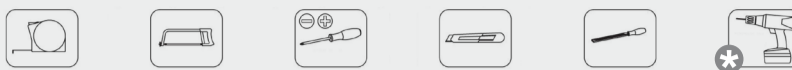


## 1750

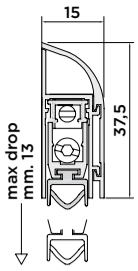


STANDARD SIZE (mm)	430	530	630	730	830	930	1030	1130	1230	1330	1430	1530	1630	1730	1830
max Z (mm)	150	100	100	100	100	100	100	100	100	100	100	100	100	100	100

TOOLS REQUIRED

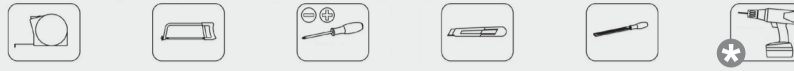


## 1750



STANDARD SIZE (mm)	430	530	630	730	830	930	1030	1130	1230	1330	1430	1530	1630	1730	1830
max Z (mm)	150	100	100	100	100	100	100	100	100	100	100	100	100	100	100

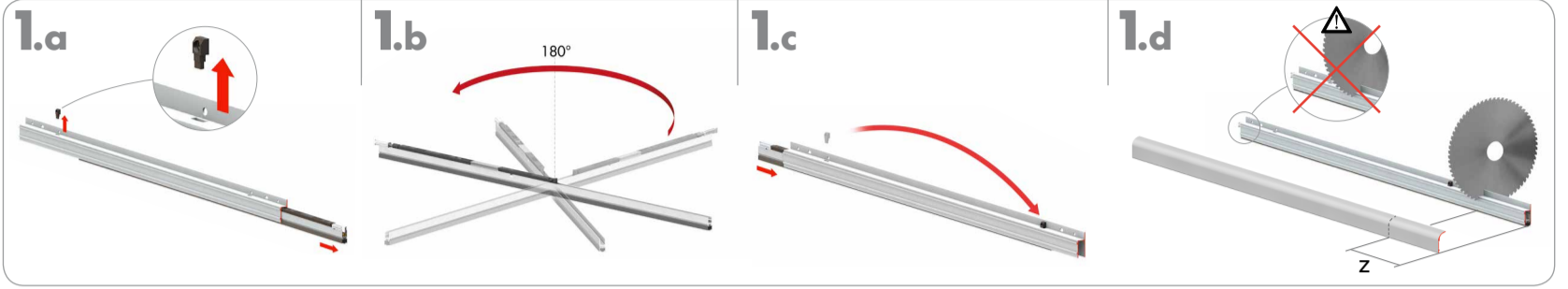
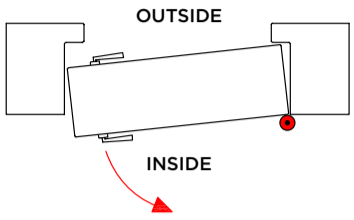
TOOLS REQUIRED



**Comaglio**

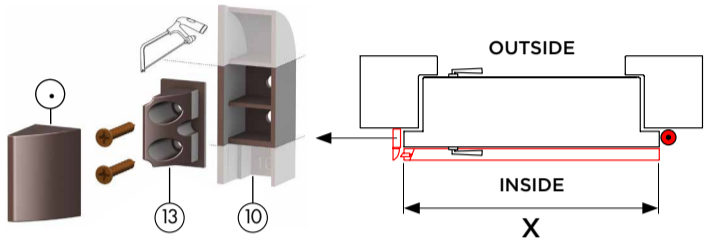
SOTTO LE TUE PORTE NON PASSERÀ NULLA.

### RIGHT PULLING



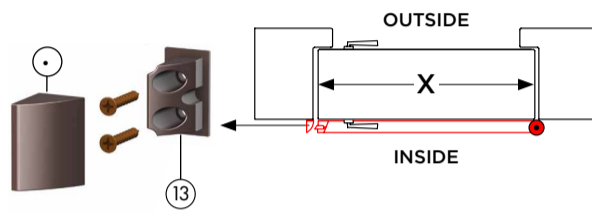
## A

COMAX art. 1750 = X - 7mm.

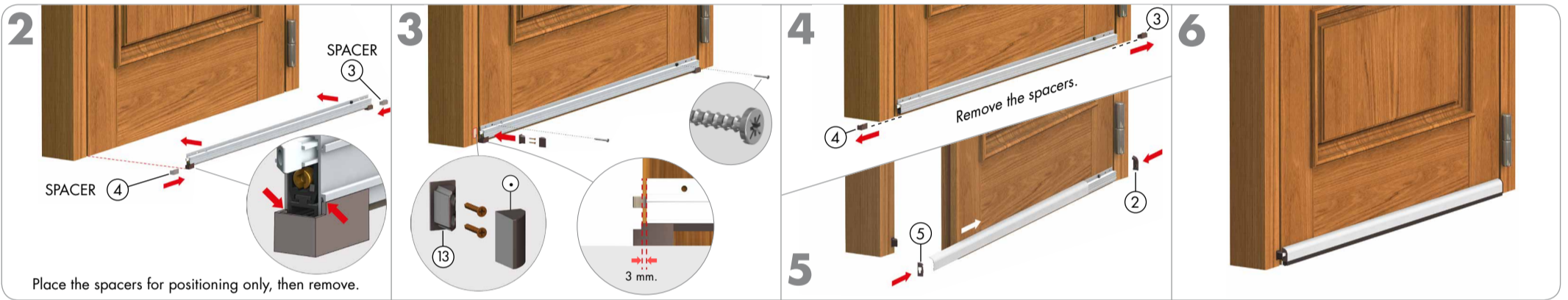
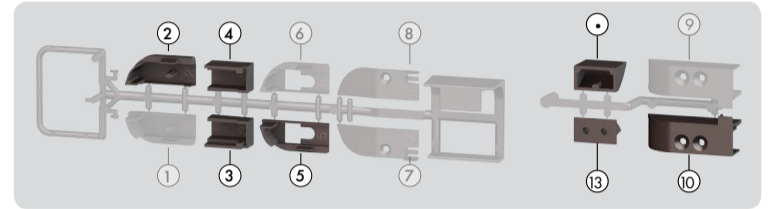


## B

COMAX art. 1750 = X - 7mm.

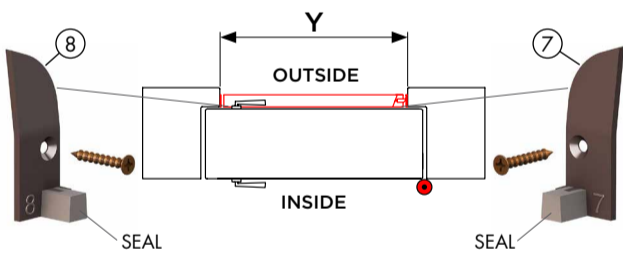


### INSIDE APPLICATION



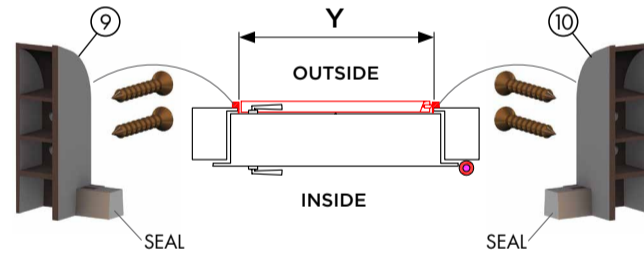
## C

COMAX art. 1750 = Y - 14mm.

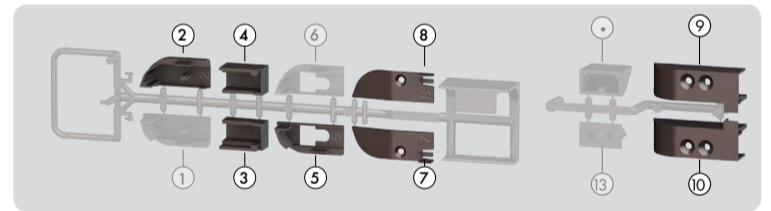


## D

COMAX art. 1750 = Y - 14mm. \*



### OUTSIDE APPLICATION



### 7.a



### 7.b



### 7.c

